

DRAWBARS OPTION - SWIVEL HEIGHT ADJUSTABLE

This bulletin details the optional drawbars available for the R52-11TC, RS48-11 & GR11000. Both drawbar options are height adjustable - see the following images for the height differences.

INSTRUCTIONS FOR USING THE SWIVEL HEIGHT ADJUSTABLE DRAWBAR

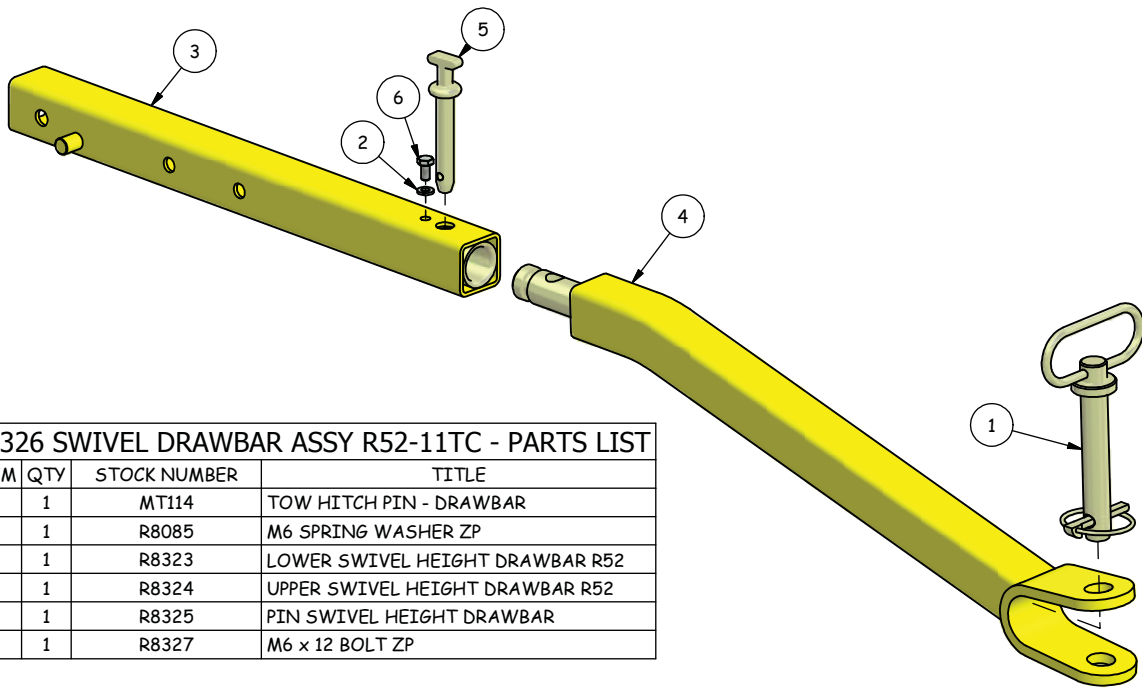
PREPARING TO USE THE ROLLER

1. Remove pin from towing hitch of the towing vehicle.
2. Move roller away from towing vehicle.
3. Tilt roller such that the rear of the machine is in contact with the ground.
4. Remove pin from the drawbar and rotate the front section of the drawbar 180 degrees so that the hitch point is above the level of the trailer arms.
5. Replace the pin into the drawbar, ensure the lynch pin is also replaced to prevent the pin from falling out when the trailer is in the raised rolling position.
6. While pressing downward on the drawbar release the trailer latch.
7. Slowly and carefully raise the trailer up and over into the rolling position.

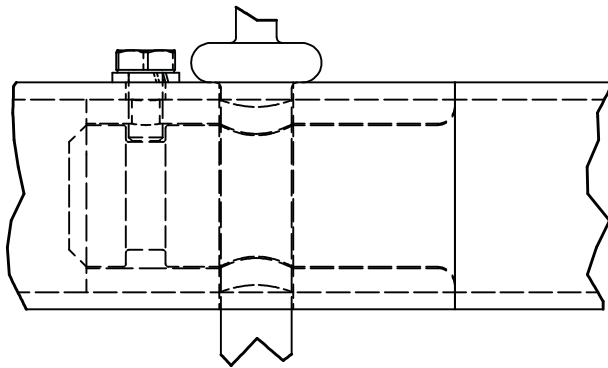
PREPARING TO TOW THE ROLLER

1. Lower the trailer and ensure it is correctly latched to the body of the roller.
2. Tilt roller such that the rear of the machine is in contact with the ground.
3. Remove pin from the drawbar and rotate the front section of the drawbar 180 degrees so that the hitch point is below the level of the trailer arms.
4. Replace the pin into the drawbar, ensure the lynch pin is also replaced to prevent the pin from falling out when the roller is being towed.
5. Attach the drawbar to the towing vehicle and insert the pin.

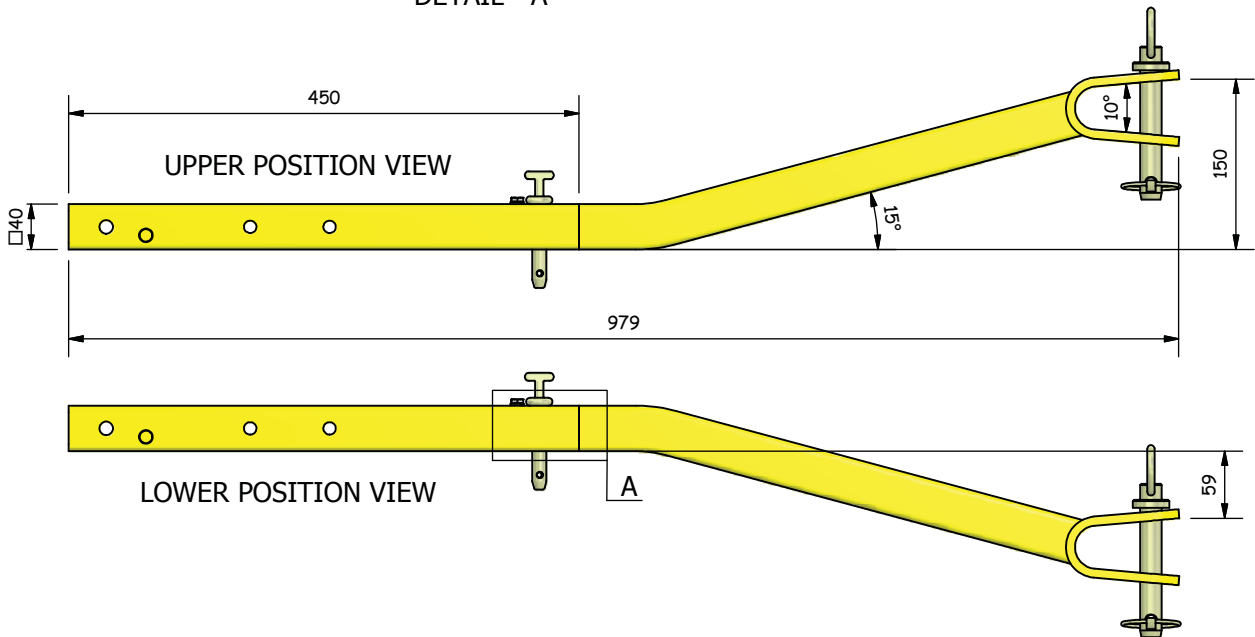
DRAWBARS OPTION - SWIVEL HEIGHT ADJUSTABLE



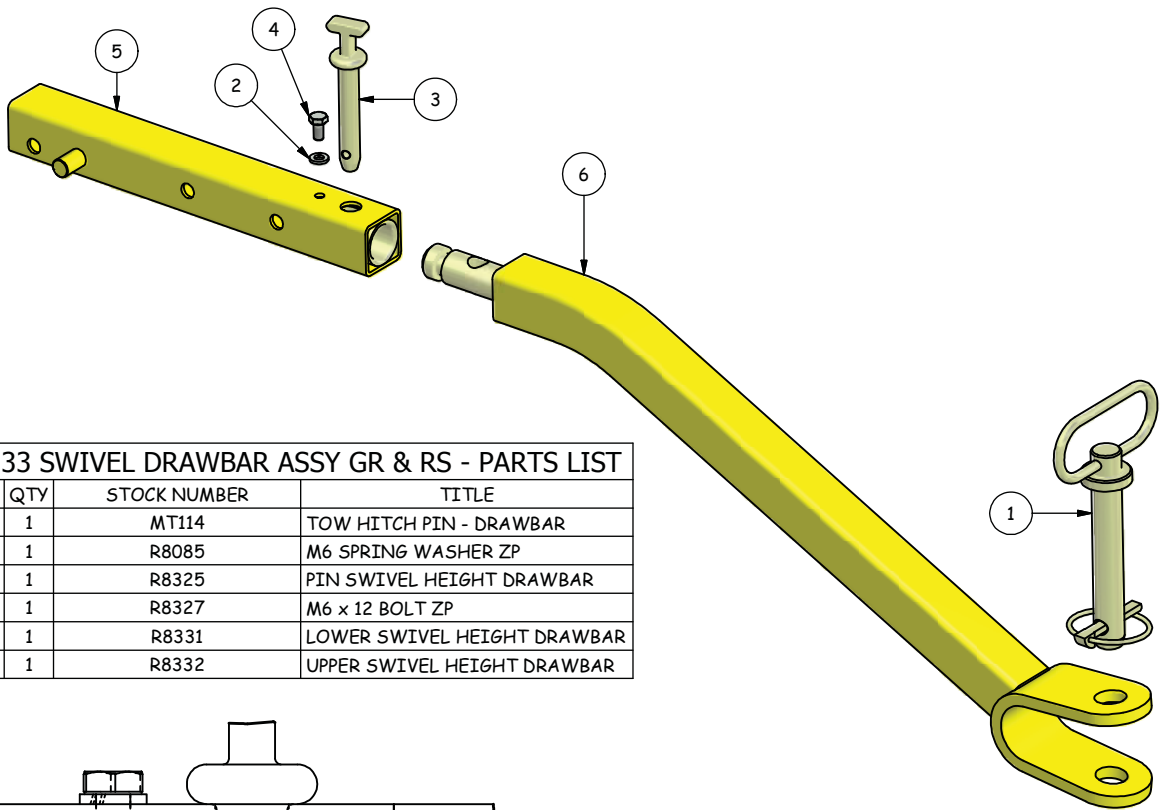
R8326 SWIVEL DRAWBAR ASSY R52-11TC - PARTS LIST			
ITEM	QTY	STOCK NUMBER	TITLE
1	1	MT114	TOW HITCH PIN - DRAWBAR
2	1	R8085	M6 SPRING WASHER ZP
3	1	R8323	LOWER SWIVEL HEIGHT DRAWBAR R52
4	1	R8324	UPPER SWIVEL HEIGHT DRAWBAR R52
5	1	R8325	PIN SWIVEL HEIGHT DRAWBAR
6	1	R8327	M6 x 12 BOLT ZP



DETAIL - A



DRAWBARS OPTION - SWIVEL HEIGHT ADJUSTABLE



R8333 SWIVEL DRAWBAR ASSY GR & RS - PARTS LIST			
ITEM	QTY	STOCK NUMBER	TITLE
1	1	MT114	TOW HITCH PIN - DRAWBAR
2	1	R8085	M6 SPRING WASHER ZP
3	1	R8325	PIN SWIVEL HEIGHT DRAWBAR
4	1	R8327	M6 x 12 BOLT ZP
5	1	R8331	LOWER SWIVEL HEIGHT DRAWBAR
6	1	R8332	UPPER SWIVEL HEIGHT DRAWBAR

