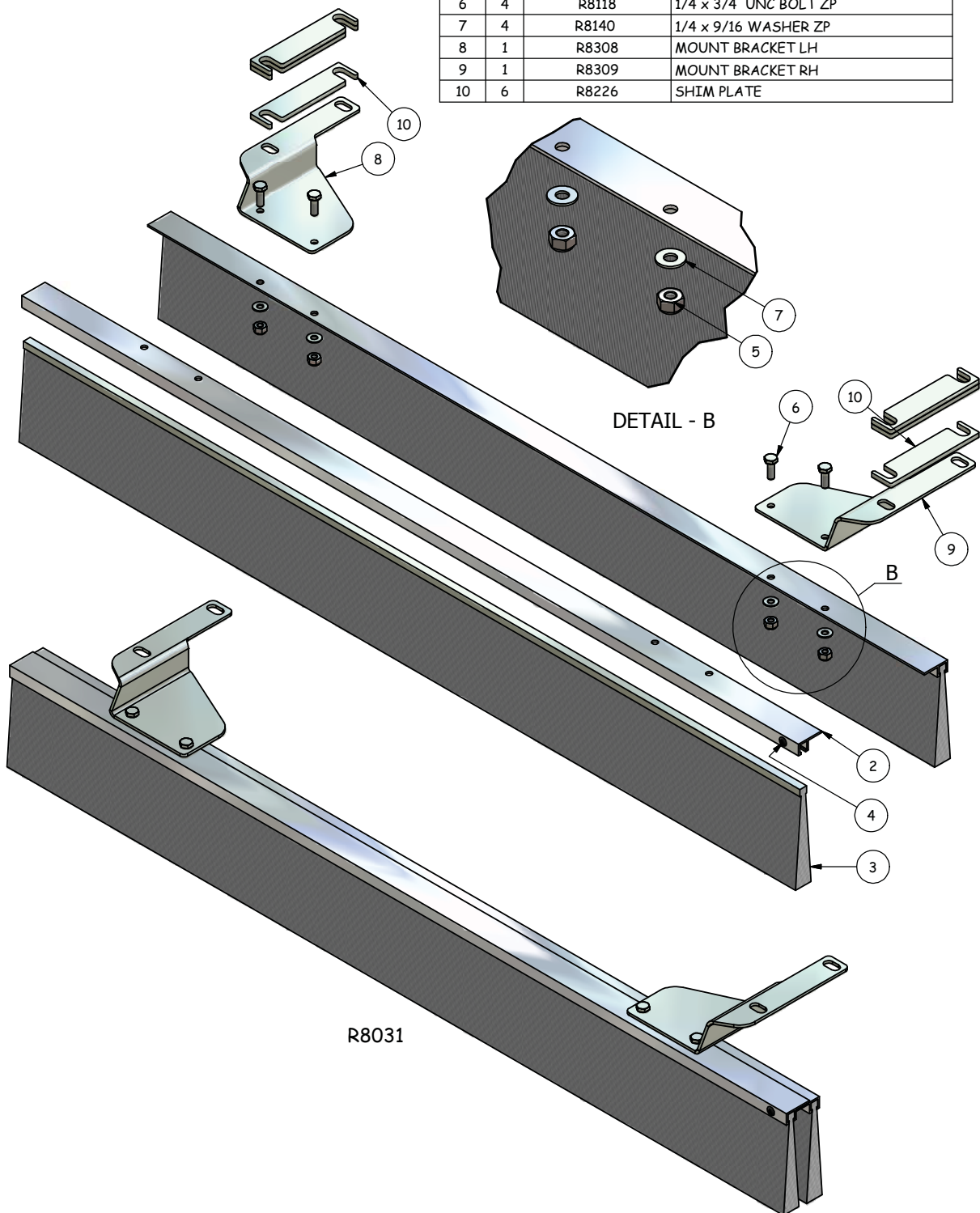


**OPTION R8031 RS48 BRUSH KIT**

This bulletin details the parts included in the R8031 brush sweeper kit for the RS48 model. For further details regarding installation of this kit, please refer to sheet2. Fitting this kit to the machine will require the removal of the spiker assembly from under the machine.

**WARNING! Before commencing any work on the machine, raise unit to a suitable working height, secure with chains and/or blocks while working underneath or around unit.**

R8031 RS48 BRUSH KIT - PARTS LIST			
ITEM	QTY	STOCK NUMBER	TITLE
1	2	R8030	BRUSH ASSEMBLY
2	1	R8028	ALUMINIUM EXTRUSION
3	1	R8029	BRUSH INFILL FOR KIT
4	1	R8077	RIVET ALUMINIUM BLACK
5	4	R8116	1/4 UNC NYLOC NUT S/S
6	4	R8118	1/4 x 3/4 UNC BOLT ZP
7	4	R8140	1/4 x 9/16 WASHER ZP
8	1	R8308	MOUNT BRACKET LH
9	1	R8309	MOUNT BRACKET RH
10	6	R8226	SHIM PLATE



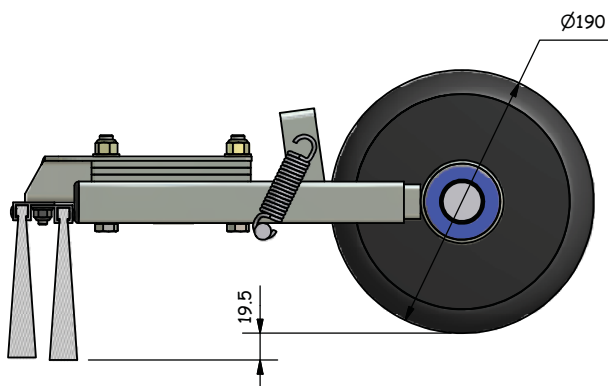
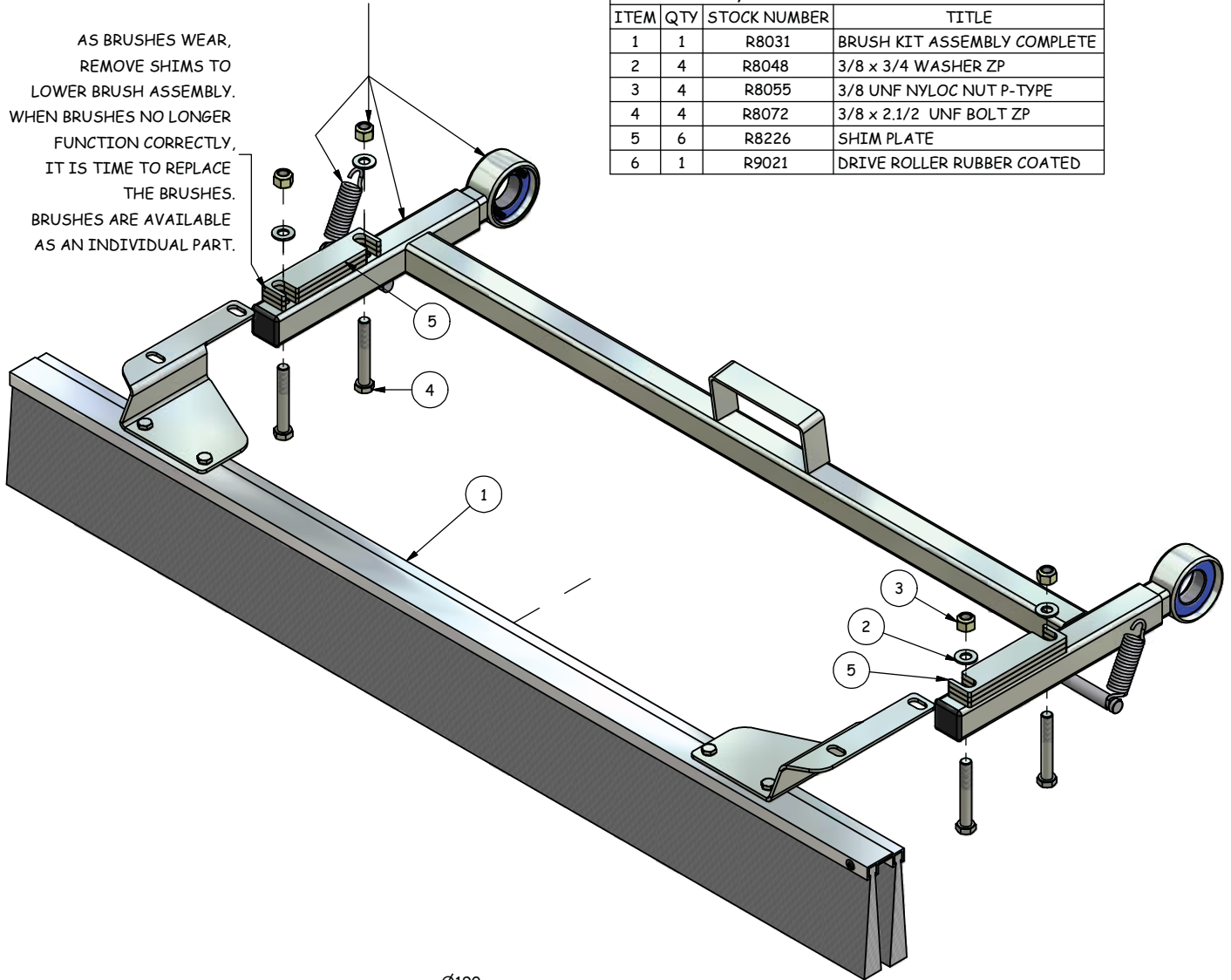
R8031

**OPTION R8031 RS48 BRUSH KIT**

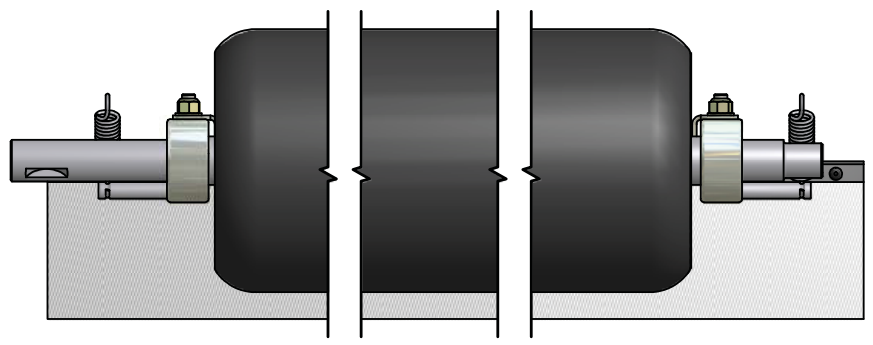
FRAME, SPRINGS, BEARINGS & 3/8"  
FASTENERS ARE NOT PART OF THE KIT.

AS BRUSHES WEAR,  
REMOVE SHIMS TO  
LOWER BRUSH ASSEMBLY.  
WHEN BRUSHES NO LONGER  
FUNCTION CORRECTLY,  
IT IS TIME TO REPLACE  
THE BRUSHES.  
BRUSHES ARE AVAILABLE  
AS AN INDIVIDUAL PART.

RS48-11C, D & E BRUSH KIT - PARTS LIST			
ITEM	QTY	STOCK NUMBER	TITLE
1	1	R8031	BRUSH KIT ASSEMBLY COMPLETE
2	4	R8048	3/8 x 3/4 WASHER ZP
3	4	R8055	3/8 UNF NYLOC NUT P-TYPE
4	4	R8072	3/8 x 2.1/2 UNF BOLT ZP
5	6	R8226	SHIM PLATE
6	1	R9021	DRIVE ROLLER RUBBER COATED



END VIEW - BRUSH KIT FITTED



SIDE VIEW - BRUSH KIT FITTED