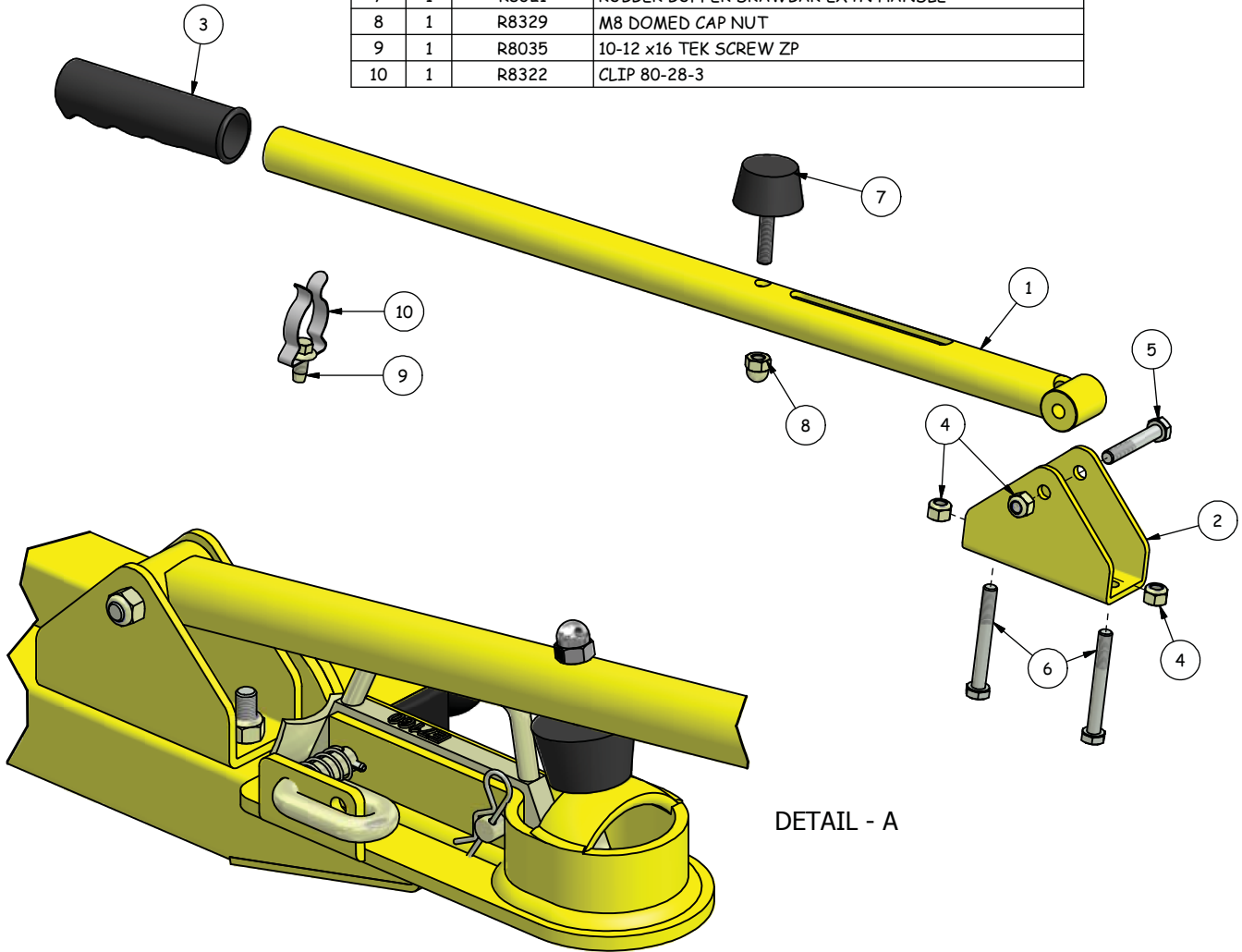


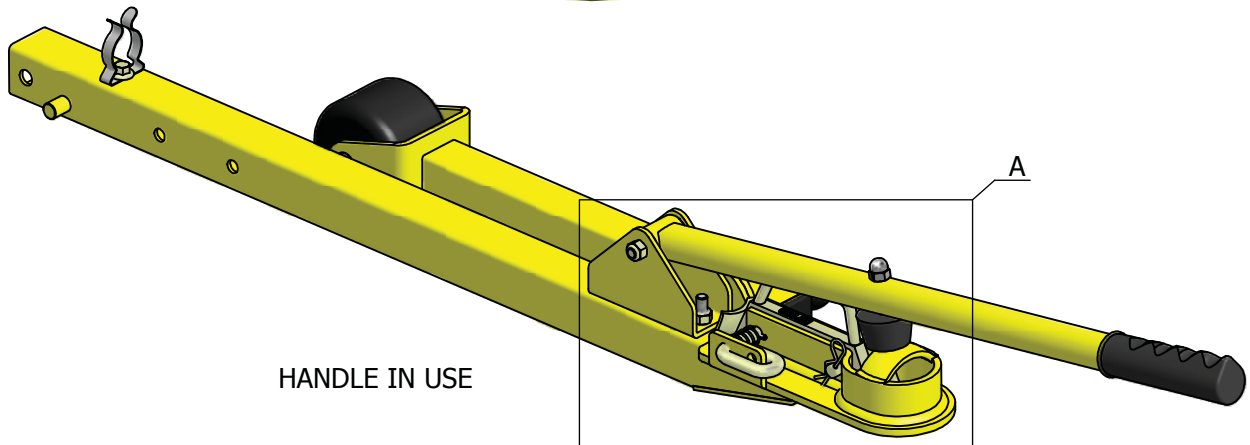
OPTION E7183 KIT DRAWBAR EXTENSION HANDLE R52-ELT

This bulletin details the parts included in this kit and basic instructions for fitting it to the existing drawbar.

E7183 DRAWBAR EXTENSION KIT - PARTS LIST			
ITEM	QTY	STOCK NUMBER	TITLE
1	1	E7070	DRAWBAR EXTENSION ROUND WELDED ASSY
2	1	EL540	DRAWBAR EXTENSION BASE
3	1	R5009	GRIP JOYSTICK
4	3	R8054	5/16 UNF NYLOC NUT
5	1	R8095	5/16 x 2.0 UNF BOLT ZP
6	2	R8189	5/16 x 2-1/2 UNF HEX BOLT
7	1	R8321	RUBBER BUFFER DRAWBAR EXTN HANDLE
8	1	R8329	M8 DOMED CAP NUT
9	1	R8035	10-12 x16 TEK SCREW ZP
10	1	R8322	CLIP 80-28-3



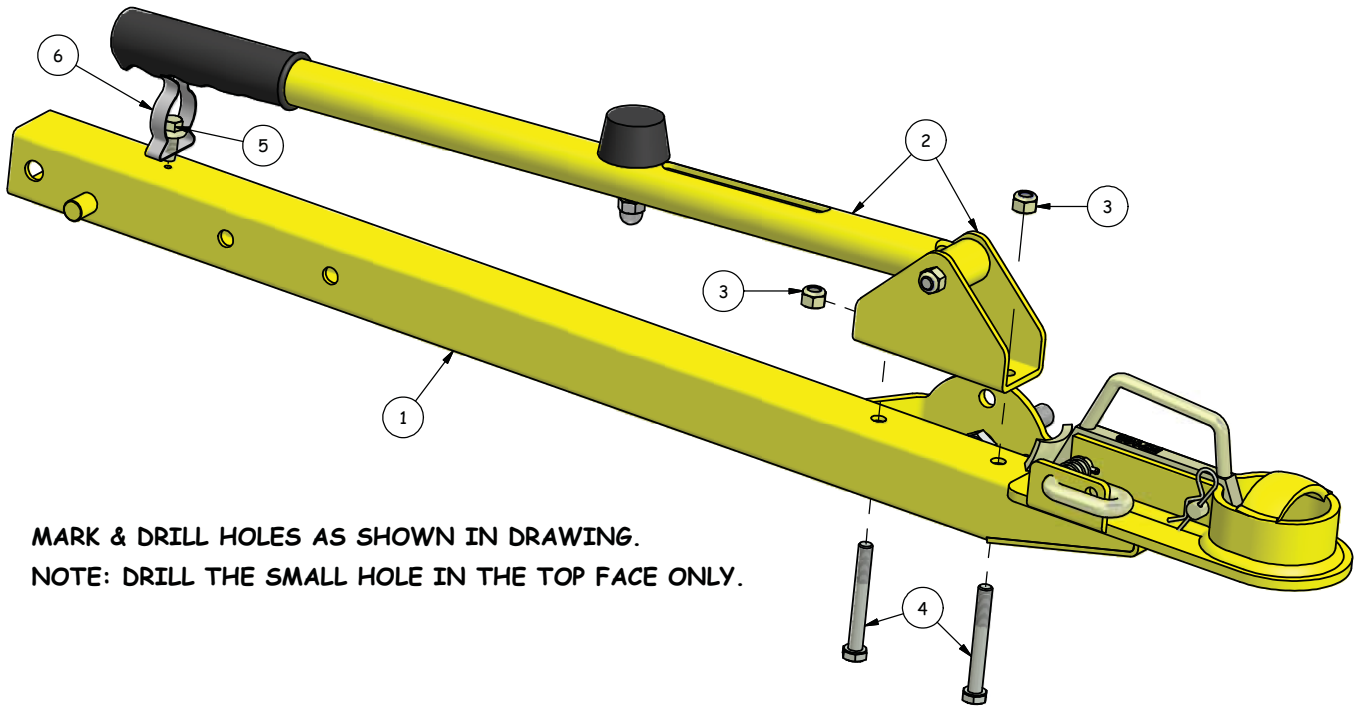
DETAIL - A



HANDLE IN USE

OPTION E7183 KIT DRAWBAR EXTENSION HANDLE R52-ELT

FITTING DETAILS - OPTIONAL EXTRA - E7183 DRAWBAR EXTENSION KIT (R52-ELT)			
ITEM	QTY	STOCK NUMBER	TITLE
1	1	E7153	DRAWBAR TOWBALL COUPLING ASSY
2	1	E7183	DRAWBAR EXTENSION KIT
3	2	R8054	5/16 UNF NYLOC NUT
4	2	R8189	5/16 x 2-1/2 UNF HEX BOLT
5	1	R8035	10-12 x16 TEK SCREW ZP
6	1	R8322	CLIP 80-28-3



MARK & DRILL HOLES AS SHOWN IN DRAWING.
 NOTE: DRILL THE SMALL HOLE IN THE TOP FACE ONLY.

